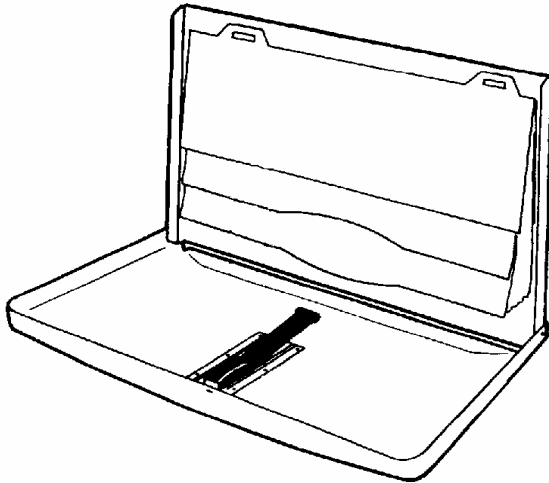


PARTS LIST

SANITOR TOILET SEAT COVER DISPENSERS

Post 1979 Model F-33 and FH-33



OUR UNCONDITIONAL GUARANTEE

Your Sanitor toilet seat cover dispenser is made to give you years of trouble-free service. However, if any part of the dispenser fails to operate, we will send replacement parts or replace it free of charge.

Individual replacement parts and complete replacement assemblies are pictured here for your reference. For replacement parts call:

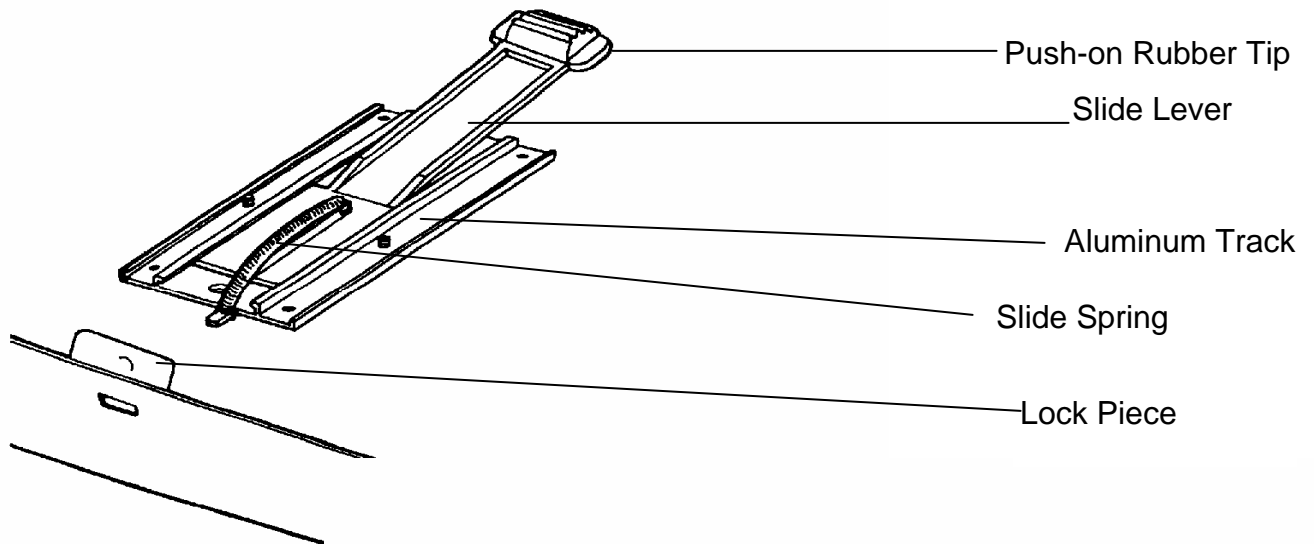
S A N I T O R

1221 West Centre Avenue, Portage MI 49024

Phone: 800-379-5314

Email: customerservice@sanitorusa.com

Replacement Lever/Track Assembly



Replacement Slide Lever Assembly

